

# CURBSIDE PICKING CART



Lightweight durable Aluminum construction.

6 Tote capacity for multi-order picking.

Top shelf 1" upturn is designed to keep products from sliding or rolling off top.

Maneuvers easily through aisles.

Heavy duty 1" extruded aluminum tubing uprights with extruded aluminum heli-arc welded slides. Tubular aluminum handle.

5" Full swivel non-marking casters.

Totes sold separately, item #5000640.

46.5"W x 24"D x 45.25"H.

38 lbs.



## PICKING TOTE

Food safe contact surface.

24"W x 16"L x 11"H.

Sold separately.

ITEM# 5000640



Nestable



Stackable

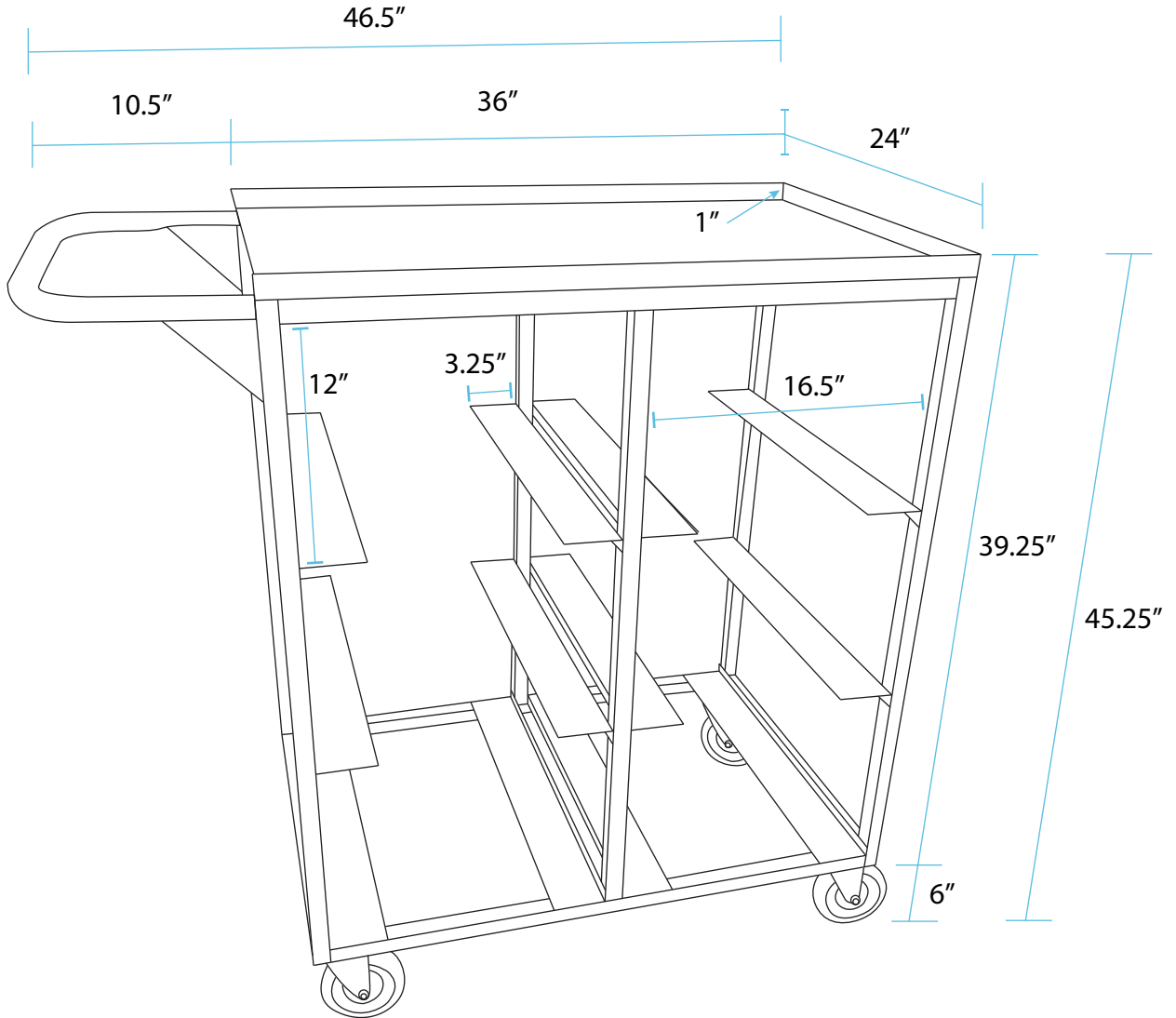


Holds up to 3 bags open

## CURBSIDE PICKING CART

MODEL#	OVERALL WIDTH	OVERALL DEPTH	OVERALL HEIGHT	WEIGHT
GSRV-2448	46.5"	24"	45.25"	38 LBS.

# CURBSIDE PICKING CART



## CURBSIDE PICKING CART

MODEL#	OVERALL WIDTH	OVERALL DEPTH	OVERALL HEIGHT	WEIGHT
GSRV-2448	46.5"	24"	45.25"	38 LBS.